

# **4SE-L – 7.5 HP**

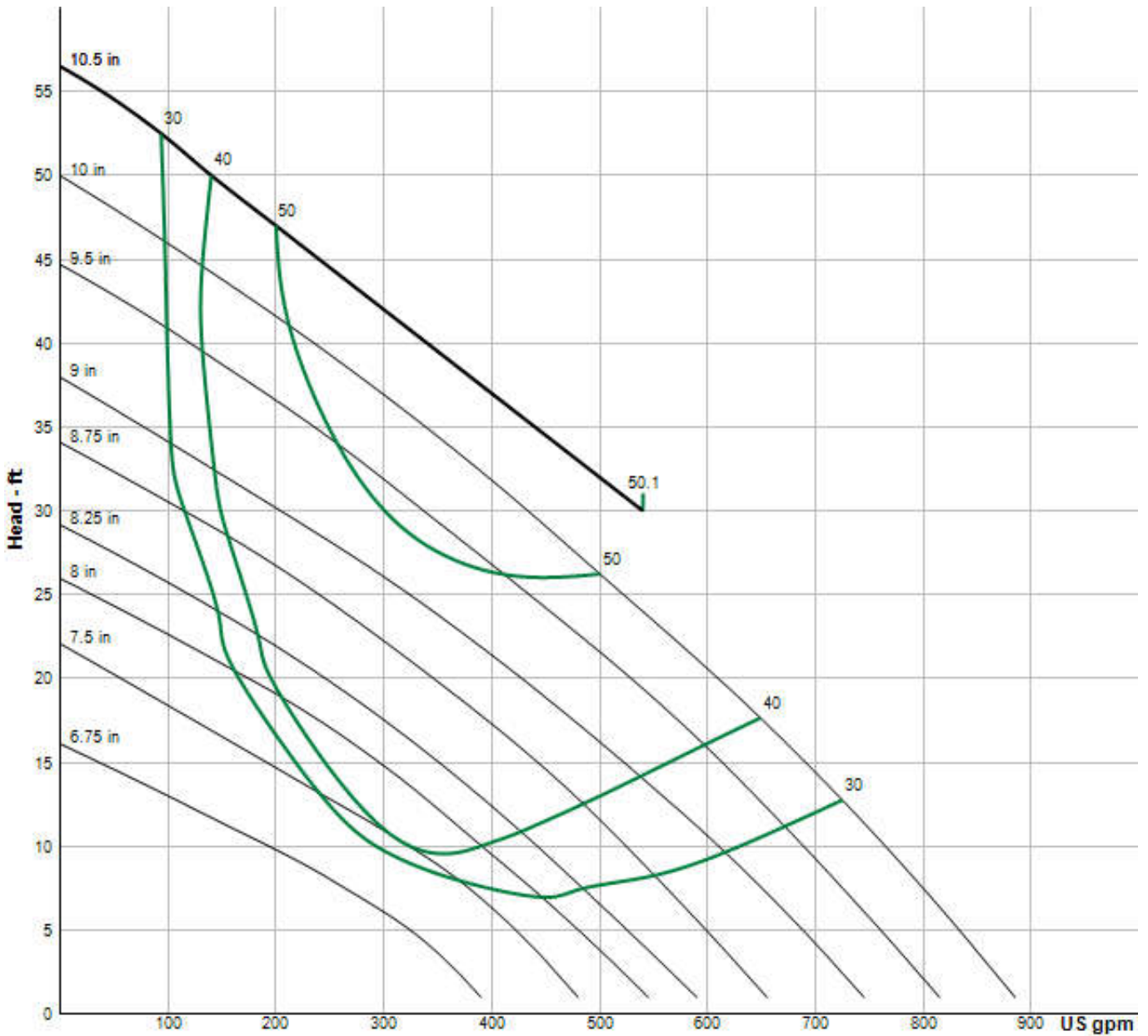
## **3" Spherical Solids Handling**



## Specifications

<b>DISCHARGE:</b>	4" 125lb., Horizontal flange
<b>SPEED:</b>	1150 RPM (Nominal)
<b>IMPELLER:</b>	<ul style="list-style-type: none"> <li>• <b>Design:</b> 2 Vane, open with pump out vanes on back side, dynamically balanced, ISO G6.3</li> <li>• <b>Material:</b> Cast iron ASTM A-48, class 30</li> </ul>
<b>CORD ENTRY:</b>	40 ft. (12.1 m) Cord. Epoxy sealed housing with secondary pressure grommet for sealing and strain relief
<b>MOTOR:</b>	<b>Design:</b> NEMA L- single phase, NEMA B - three phase torque curve, oil filled, squirrel cage induction
<b>SEAL:</b>	<ul style="list-style-type: none"> <li>• <b>Design:</b> Double mechanical, oil filled pressure equalized reservoir</li> <li>• <b>Material:</b> Carbon/Ceramic/Buna-N Hardware - 300 series stainless</li> </ul>
<b>LIQUID TEMPERATURE:</b>	104°F (40°C) Continuous
<b>VOLUTE:</b>	Cast iron ASTM A-48, class 30
<b>MOTOR HOUSING</b>	Cast iron ASTM A-48, class 30
<b>SEAL PLATE:</b>	Cast iron ASTM A-48, class 30
<b>SHAFT:</b>	416 Stainless steel
<b>SQUARE RINGS:</b>	Buna-N
<b>HARDWARE:</b>	300 Series stainless steel
<b>PAINT:</b>	Air dry enamel (epoxy optional)
<b>UPPER BEARING:</b>	<p><b>Upper Bearing:</b></p> <ul style="list-style-type: none"> <li>• <b>Design:</b> Single row, ball, oil lubricated</li> <li>• <b>Load:</b> Radial</li> </ul> <p><b>Lower Bearing:</b></p> <ul style="list-style-type: none"> <li>• <b>Design:</b> Single row, ball, oil lubricated</li> <li>• <b>Load:</b> Radial</li> </ul>
<b>DIAPHRAGM</b>	Buna-N
<b>SINGLE PHASE</b>	Capacitor start/capacitor run. Requires barnes starter/panel which includes capacitors and overload protection
<b>THREE PHASE</b>	Tri voltage motor 200-230/460. Requires overload protection to be included in control panel, VFD suitable
<b>MOISTURE SENSOR</b>	Normally open (N/O), requires relay in control panel
<b>TEMPERATURE SENSOR:</b>	Normally Closed (N/C), Requires relay in control panel. For three phase units ONLY

Curves

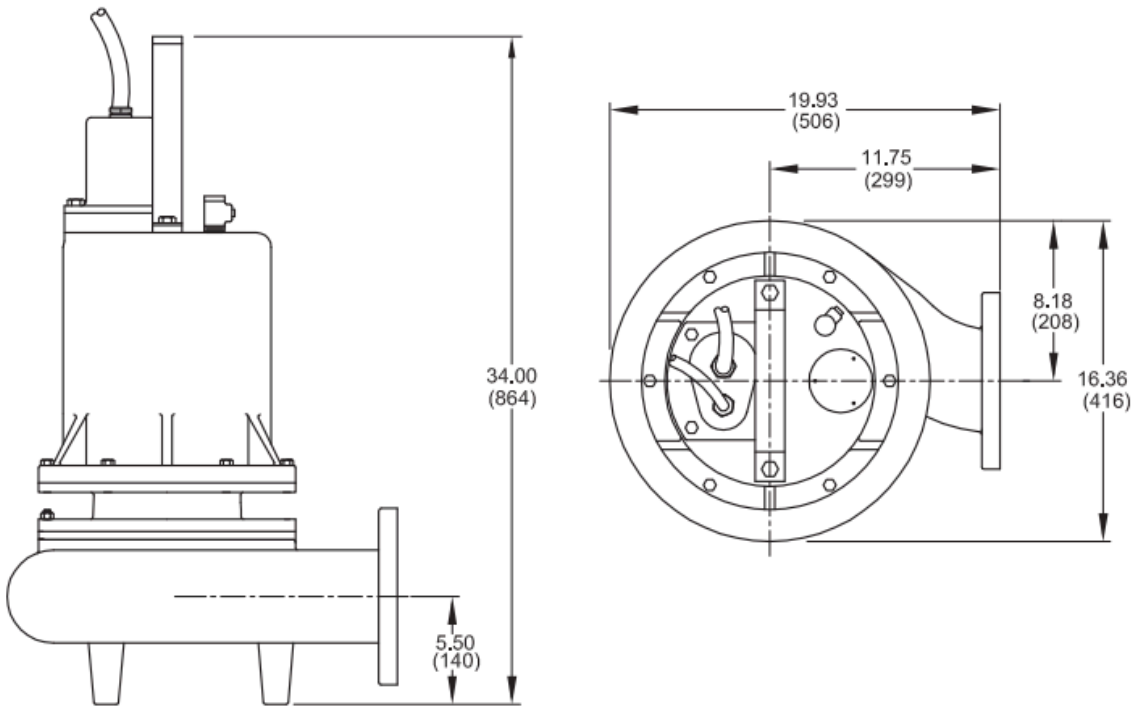



Pump HP	Impeller Dia in. (mm)
4.5	8.75 (222)
7.5	10.00 (254)
11.3	10.50 (267)

**Model Information**

<b>PUMP MODEL NUMBER</b>	<b>4SE7596L</b>	<b>4SE7546L</b>	<b>4SE7556L</b>
<b>PART NUMBER</b>	084618	084619	089304
<b>HP</b>	7.5	7.5	7.5
<b>VOLTAGE/PHASE</b>	200-230/3	460/3	575/3
<b>HZ</b>	60	60	60
<b>RPM (NOMINAL)</b>	1150	1150	1150
<b>NEMA START CODE</b>	B/E	E	E
<b>FULL LOAD AMPS</b>	25.3/22.0	11	8.8
<b>LOCKED ROTOR AMPS</b>	74.8/86.0	43	34.4
<b>CORD SIZE</b>	8/4	8/4	10/4
<b>CORD TYPE</b>	SOW	SOW	SOW
<b>CORD O.D INCH (MM)</b>	0.830 (21)	0.830 (21)	0.750 (19.1)

Drawing



 All dimensions are in inches (mm)